



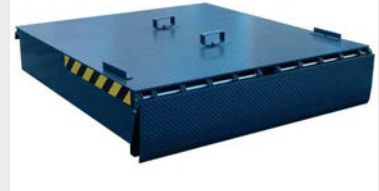
Dock Leveller Reduced Weight with Hinged Lip RH14

Dock Leveller with reduced weight designed for transportation with a hinged lip of 400 mm.

TECHNICAL DESCRIPTION

The **RH14** is an evolution of the RH1 with a special transportation height of **463mm**. This is precisely the right measurement for aligning 5 machines in a row in front of a conventional truck. It is certainly an excellent solution for reducing transport costs.

In addition to its safety systems, the **RH14** Dock Leveller has the same features as the RH1 Dock Leveller, with respect to the platform, lip and inferior structure. One of the major differences is that practically the complete inferior structure is eliminated in the **RH14** and in most models the two Ø35 mm elevation cylinders are resting on the front.



Dock Leveller RH14 with hinged lip

DOCK LEVELLER DIMENSIONS

There are 4 standard sizes for the RH14 Dock Leveller, with different widths for the hinged lip*. There are two ways of securing the elevation cylinders: using the standard method or with a rear support.

RH14 standard

- ✓ L 2292 x W 2000 x H 600mm
- ✓ L 2552 x W 2000 x H 600mm

RH14 rear cylinder

- ✓ L 2052 x W 2000 x H 600mm
- ✓ L 3052 x W 2000 x H 600mm

*For other dimensions, please consult Customer Service.

DOCK LEVELLER DIMENSIONS

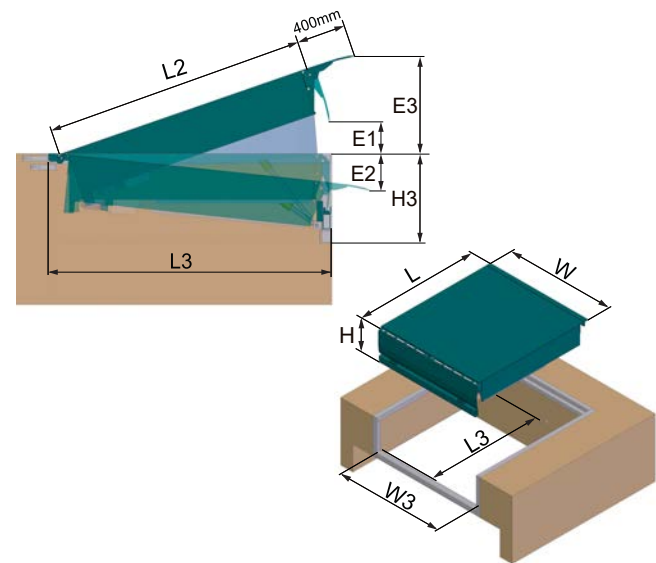


- 1 Self-cleaning reinforced flat hinges.
- 2 Hydraulic equipment: electric motor, hydraulic pump and tank.
- 3 Axles protected from corrosion by electrolytic zinc plating treatment and passivation.
- 4 Centring system between lip and dock uses nylon separators to keep the claw in the correct position.
- 5 Toeguards for feet protection and black & yellow safety bands.
- 6 Lifting cylinders with Ø50mm piston rod and anti-fall safety valve.

COMPONENTS:

- The **platform** consists of a 6/8mm thick tear plate top, rolled steel sections and lateral toeguards.
- Compact and robust **lip** made of 13/15 mm thick steel tear plate. The lip is hinged and its end is milled, allowing it to fit against the lorry perfectly and smoothing the lorry's passage.
- The **lower structure** is made from rolled steel sections and the platform and hydraulic group are installed on it.

PIT DIMENSIONS



RH14 standard

	LIP	L	W	H	L2	L3	W3	H3	L4*	H4**	E1	E2	E3
2300	400	2140	2000	600	2292	2240	2030	610	2220	463	250	295	770
2500		2400			2552	2500			2480		230	270	740

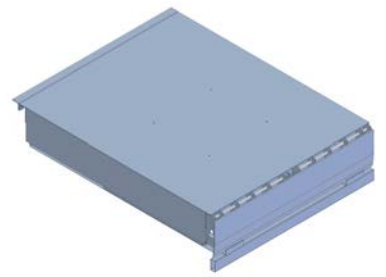
*L4: transport length **H4: transport folding

RH14 rear cylinder

	LIP	L	W	H	L2	L3	W3	H3	L4*	H4**	E1	E2	E3
2000	400	1900	2000	600	2052	2000	2030	610	1980	463	180	280	770
3000		2900			3052	3000			2980		330	290	830

*L4: transport length **H4: transport folding

Dock Levellers



HYDRAULIC EQUIPMENT AND CONTROL PANEL

The hydraulic unit consists of: 1.0 HP 0.75kw 230/400 V **electric motor**, **hydraulic pump** with a flow rate of 5 l/m and **5 litre tank** with oil level sight glass, **safety solenoid valve**, **lifting cylinder** with 50mm piston rod, **lip cylinder** with 30mm piston rod and **hydraulic hoses**.

The **control panel** consists of: transformer for a 24V AC control circuit, switch, connection strip, protective fuses, motor protection switch, contactor and a starter pilot.



Inkema panel



RH14 powerpack

SAFETY ITEMS

The RH14 Dock Leveller has the following safety features:

- **Emergency stop:** Activated by switch or power failure.
- **Fixed and movable toeguards:** Prevent feet from being trapped between the platform and the pit.
- **Side bands:** Help reduce the risk of collisions.
- **Safety bar:** Prevents it from closing during maintenance.
- **Anti-fall safety valves** inside the hydraulic cylinder.
- Platform with **anti-slip tear surface on top**.



Toeguards with feet protection.



RH14 is perfect for any industrial sector.



The handling pieces allows the movement of the dock leveller in any direction.



It can fit 5 dock levellers in a conventional lorry.

FINISHES



Painted:

Highly resistant to corrosion and environmental agents. Standard colour grey RAL 7016, any other colour can be chosen according to RAL chart.



Galvanised:

Excellent resistance to corrosion and environmental agents.



Stainless:

Excellent resistance to aggressive environments such as water or salt. The most resistant option for any aggressive atmosphere.

STANDARDS

Inkema declares that the RH14 Dock Leveller conforms to the following European directives:

2006/42/CE, 2014/35/UE, 2014/30/UE and UE 305/2011

Designed and manufactured in accordance with the following harmonised technical standards:

UNE-EN 1398 and UNE-EN ISO 12100

Complies with the following technical standards:

UNE-EN 349, UNE-EN ISO 13857, UNE-EN ISO 4413, UNE-EN 60204-1, UNE-EN 61000-6-2, UNE-EN 61000-6-3 and UNE-EN 61000-6-4

Dock Levellers

www.inkema.com

C/ Galileo, 2 – Naves 4 - 12 – Apartado de correos 132 – 08150 Parets del Vallés – Barcelona – (Spain)
For further information please contact us by phone +34 93 544 47 08 or by email: export@inkema.com