



Dock Leveller Embedded Type with Telescopic Lip

RH21
RH31

Hydraulic recessed dock leveller, with 500 mm (RH21) or 1000 mm (RH31) telescopic lip.

TECHNICAL DESCRIPTION

The **RH21/RH31** Dock Leveller can bridge the distance and height between the loading bay and the body of the lorry, using its hydraulic tilting mechanism and telescopic lip. Its **500 mm or 1000 mm telescopic hydraulic lip** is long enough to allow the dock leveller's platform to rest firmly on the lorry's trailer.

This type of dock leveller is especially suitable for facilities where **thermal insulation**, both internal and external, is **very important**.



RH21 with the 500mm telescopic lip extended.

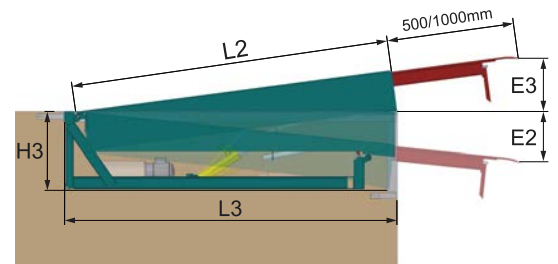
DOCK LEVELLER DIMENSIONS

There are 4 standard sizes for the RH21/RH31 dock leveller, with different widths for the telescopic lip. We also design and manufacture dock levellers that are up to **4500mm long x 2400 wide x 900 high***.

- ✓ L 2560 x (W1800/2000/2200) x H 600mm
- ✓ L 2060 x (W1800/2000/2200) x H 600mm
- ✓ L 3060 x (W1800/2000/2200) x H 800mm (For RH21 dock levellers only)
- ✓ L 3560 x (W1800/2000/2200) x H 800mm

*For other dimensions, please consult Customer Service.

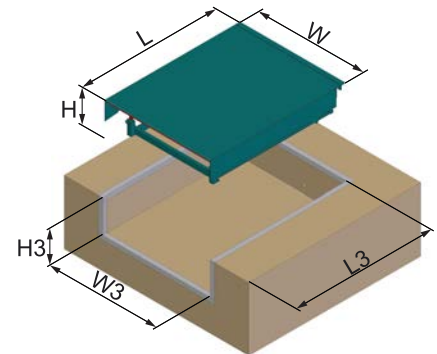
PIT DIMENSIONS



SIDE VIEW OF THE DOCK



- 1 Telescopic lip (500-1000mm) designed to fit perfectly against the lorry.
- 2 Hydraulic equipment: electric motor, hydraulic pump and tank.
- 3 Grooved comb system on the front of the machine. Reduces structural stress and increases the life of the dock leveller.
- 4 Toeguards for feet protection and black & yellow safety bands.
- 5 Lifting cylinders with Ø50mm piston rod and anti-fall safety valve.



RH2

	LIP	L2	W	H	L	L3	W3	H3	E1	E2
500	2060	1970	1800	600	2060	2080	1840	610	310	310
	2560	2470	2000	600	2560	2580	2040	610	340	340
	3060	2970	2200	800	3060	3080	2240	810	440	390
	3560	3470	2200	800	3560	3580	2240	810	480	390

RH3

	LIP	L2	W	H	L	L3	W3	H3	E1	E2
1000	2560	2470	1800	600	2560	2580	1840	610	410	395
	3060	2970	2000	600	3060	3080	2040	610	510	460
	3560	3470	2200	800	3560	3580	2240	810	550	430
				800	3560	3580	2240	810	550	430

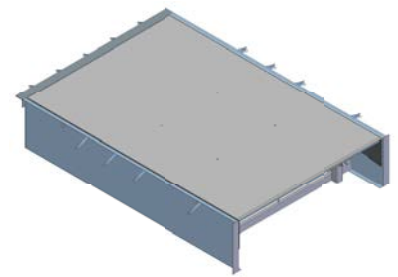
COMPONENTS

The **Inkema RH21/RH31 dock leveller** is composed by three parts:

- The **platform** consists of a 8/10mm thick tear plate top, rolled steel sections and lateral toeguards.
- Compact and robust **lip** made of 13/15 mm thick steel tear plate. The lip is hinged and its end is milled, allowing it to fit against the lorry perfectly and smoothing the lorry's passage.
- The **lower structure** is made from rolled steel sections and the platform and hydraulic group are installed on it.



Dock Levellers



HYDRAULIC EQUIPMENT AND CONTROL PANEL

The hydraulic unit consists of: 1.5 HP 1kw 230/400 V **electric motor**, **hydraulic pump** with a flow rate of 5 l/m and **7 litre tank** with oil level sight glass, **safety solenoid valve**, **lifting cylinder** with 50mm piston rod, lip cylinder with 40mm cylinder liner and **hydraulic hoses**.

The **control panel** consists of: transformer for a 24V AC control circuit, switch, connection strip, protective fuses, motor protection switch, contactor and starter pilot.



Inkema Panel

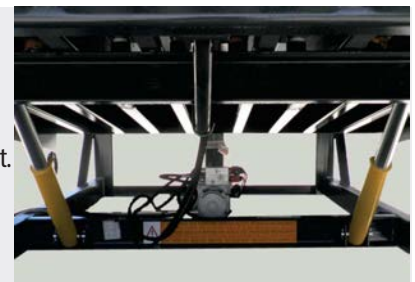


RH21 powerpack

SAFETY ITEMS

The RH21/RH31 Dock Leveller has the following safety features:

- **Emergency stop:** Activated by switch or power failure.
- **Fixed and movable toe guards:** Prevent feet from being trapped between the platform and the pit.
- **Side bands:** Help reduce the risk of collisions.
- **Safety bar:** Prevents it from closing during maintenance.
- **Anti-fall safety valves** inside the hydraulic cylinder.
- Platform with **anti-slip tear surface on top**.



Lifting cylinders with anti-fall valves



1000mm telescopic lip extended (RH31)



Anti-slip tear surface on top



Pit model for a recessed leveller

FINISHES



Painted:

Highly resistant to corrosion and environmental agents. Standard colour grey RAL 7016, any other colour can be chosen according to RAL chart.



Galvanised:

Excellent resistance to corrosion and environmental agents.

STANDARDS

Inkema declares that the RH21/RH31 Dock Leveller conforms to the following European directives:

2006/42/CE, 2014/35/UE, 2014/30/UE and UE 305/2011

Designed and manufactured in accordance with the following harmonised technical standards:

UNE-EN 1398 and UNE-EN ISO 12100

Complies with the following technical standards:

UNE-EN 349, UNE-EN ISO 13857, UNE-EN ISO 4413, UNE-EN 60204-1, UNE-EN 61000-6-2, UNE-EN 61000-6-3 and UNE-EN 61000-6-4